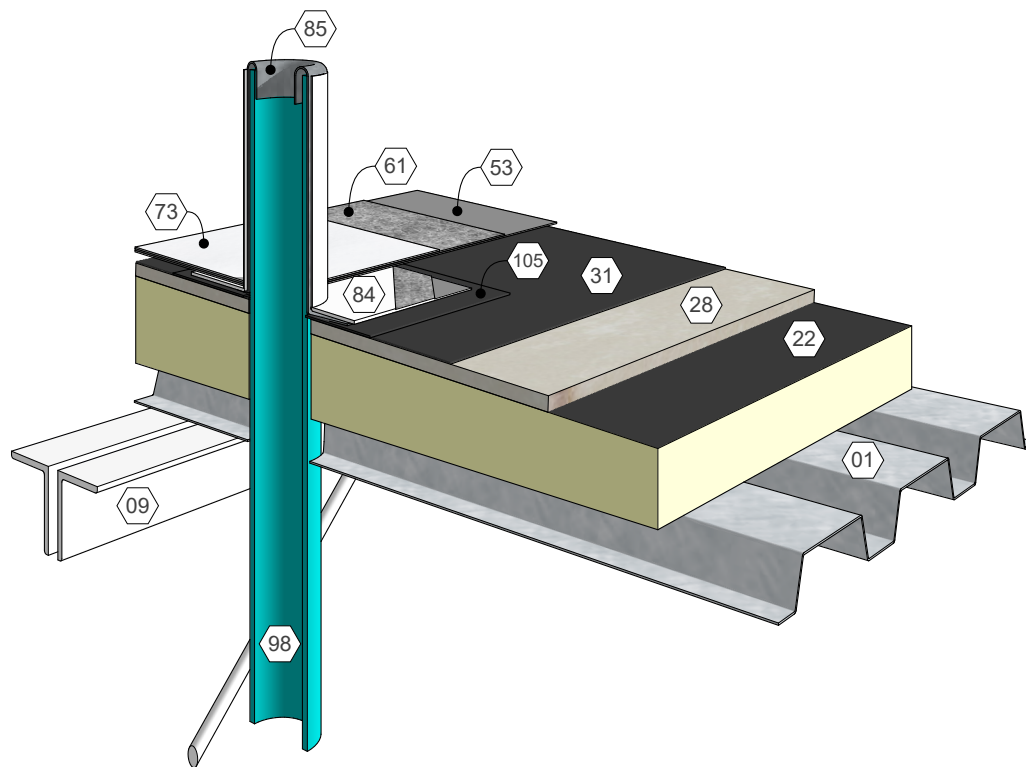
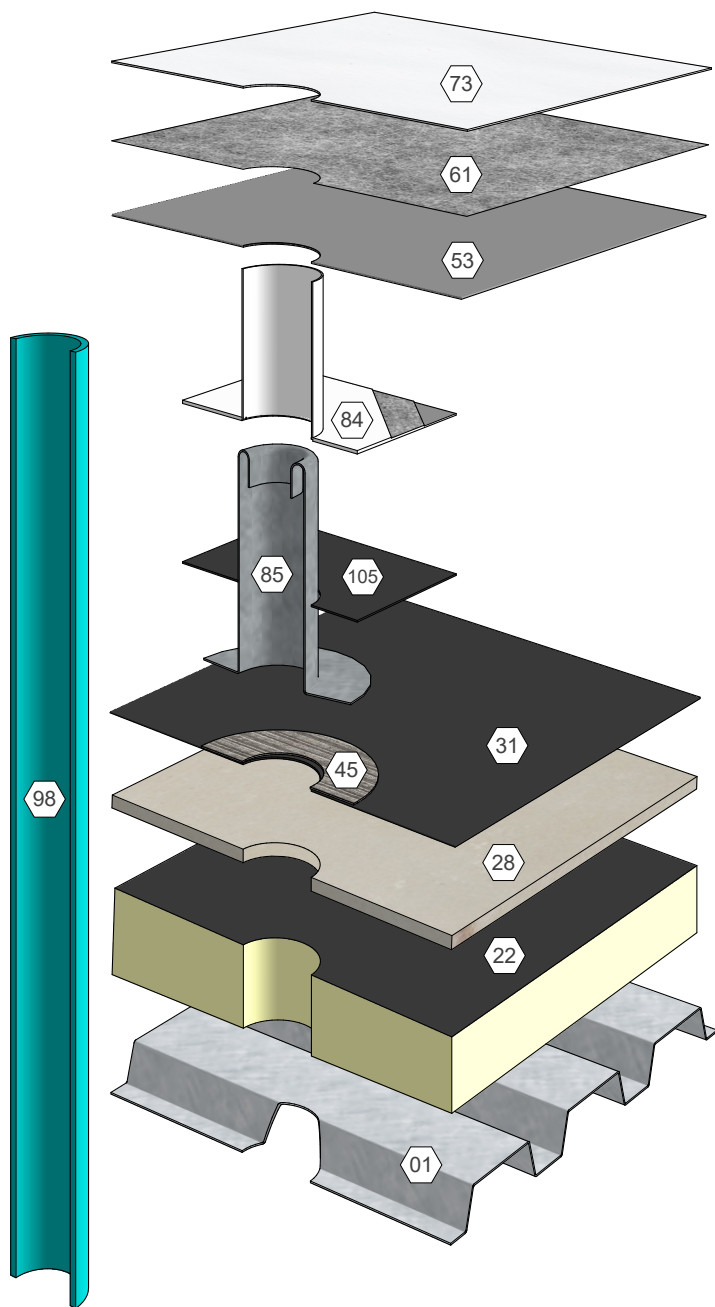


KEY NOTES

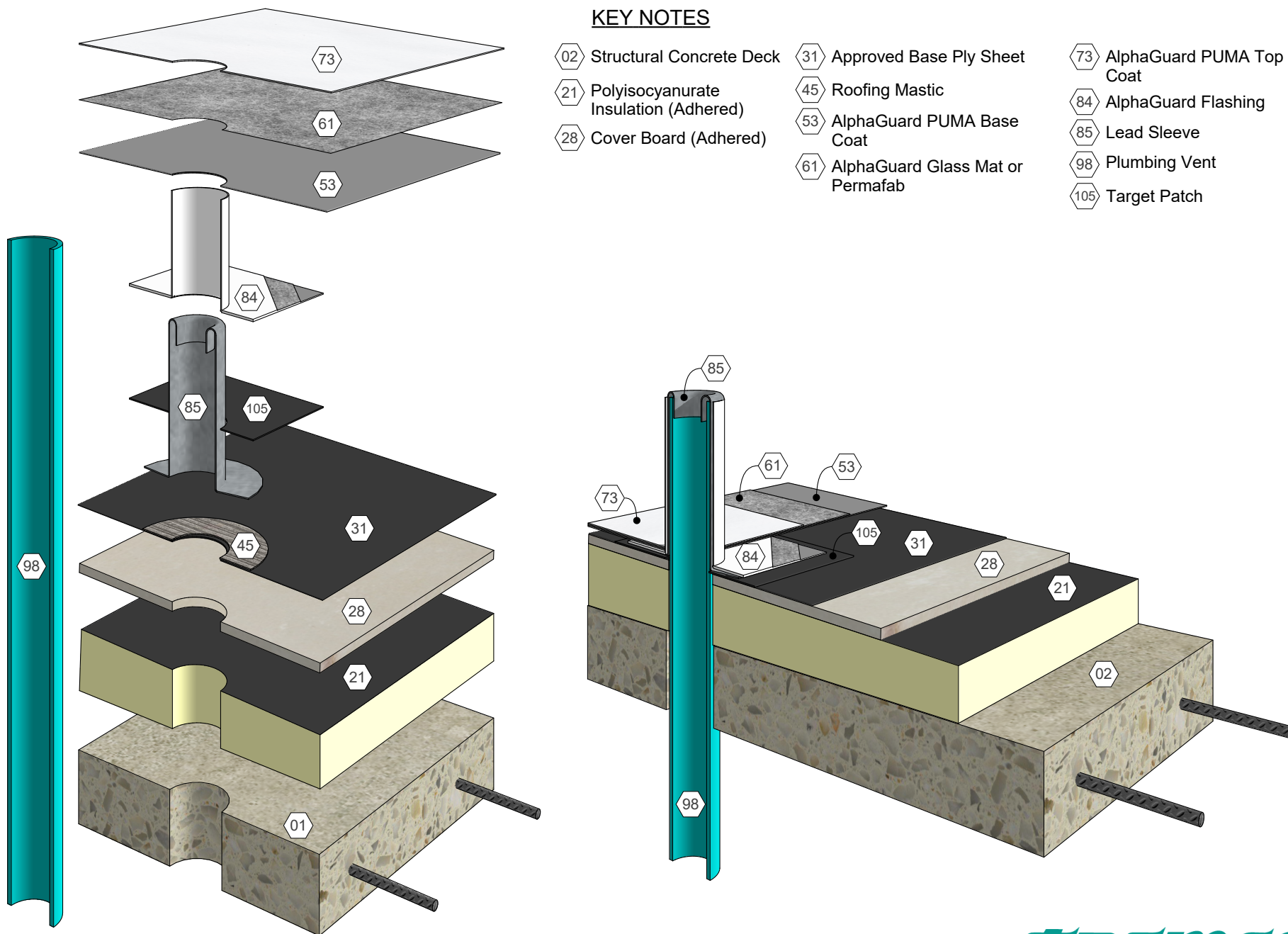
- | | | |
|--|-------------------------------------|-----------------------------|
| 01 Metal Deck | 31 Approved Base Ply Sheet | 73 AlphaGuard PUMA Top Coat |
| 09 Roof Structure | 45 Roofing Mastic | 84 AlphaGuard Flashing |
| 22 Polyisocyanurate Insulation (Fastened or Adhered) | 53 AlphaGuard PUMA Base Coat | 85 Lead Sleeve |
| 28 Cover Board (Adhered) | 61 AlphaGuard Glass Mat or Permafab | 98 Plumbing Vent |
| | | 105 Target Patch |



AlphaGuard® PUMA Plus Plumbing Vent Detail, Metal Deck
Detail 24181

KEY NOTES

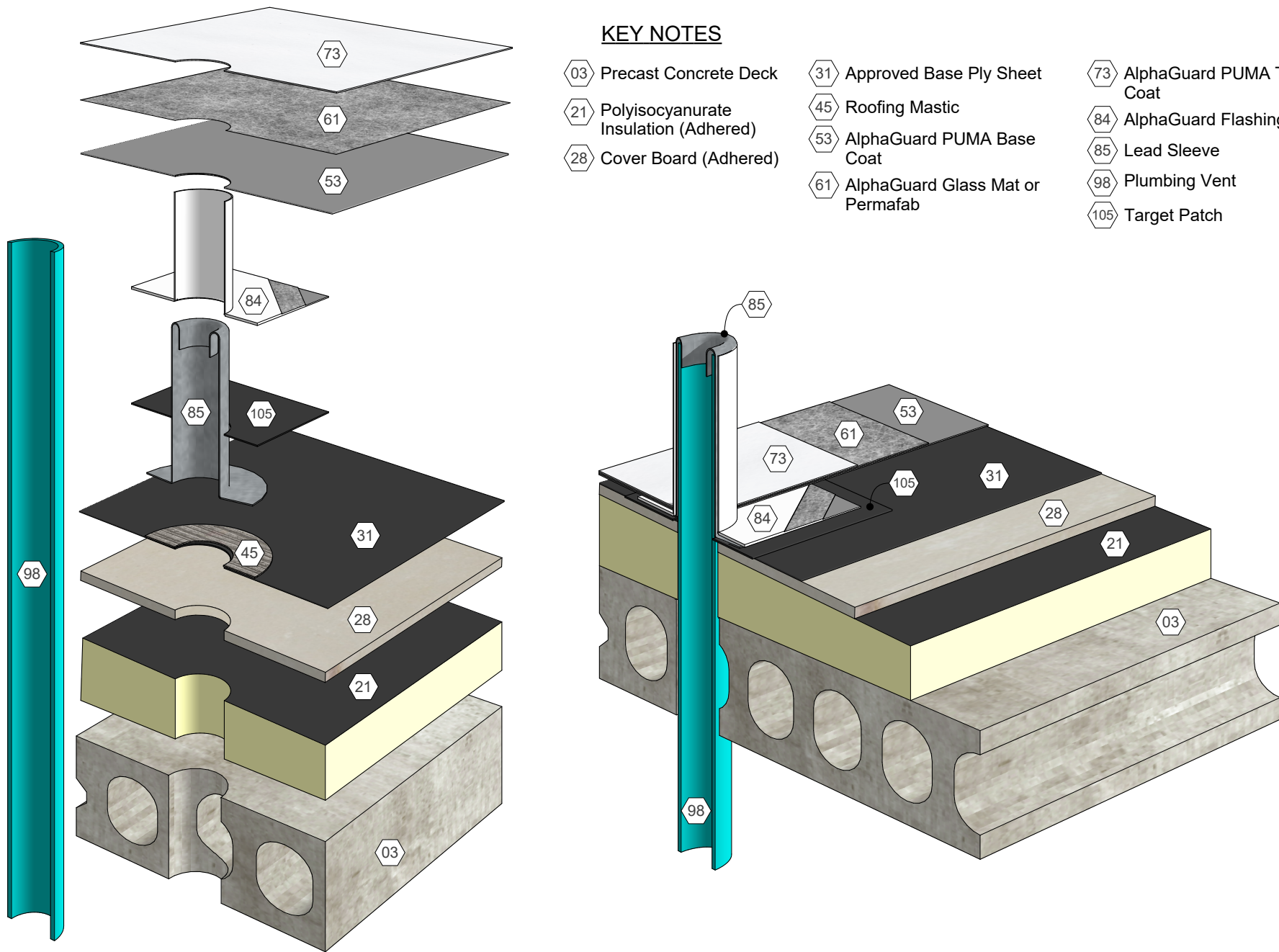
- | | | |
|--|-------------------------------------|-----------------------------|
| 02 Structural Concrete Deck | 31 Approved Base Ply Sheet | 73 AlphaGuard PUMA Top Coat |
| 21 Polyisocyanurate Insulation (Adhered) | 45 Roofing Mastic | 84 AlphaGuard Flashing |
| 28 Cover Board (Adhered) | 53 AlphaGuard PUMA Base Coat | 85 Lead Sleeve |
| | 61 AlphaGuard Glass Mat or Permafab | 98 Plumbing Vent |
| | | 105 Target Patch |



AlphaGuard® PUMA Plus Plumbing Vent Detail, Structural Concrete Deck
Detail 24182

KEY NOTES

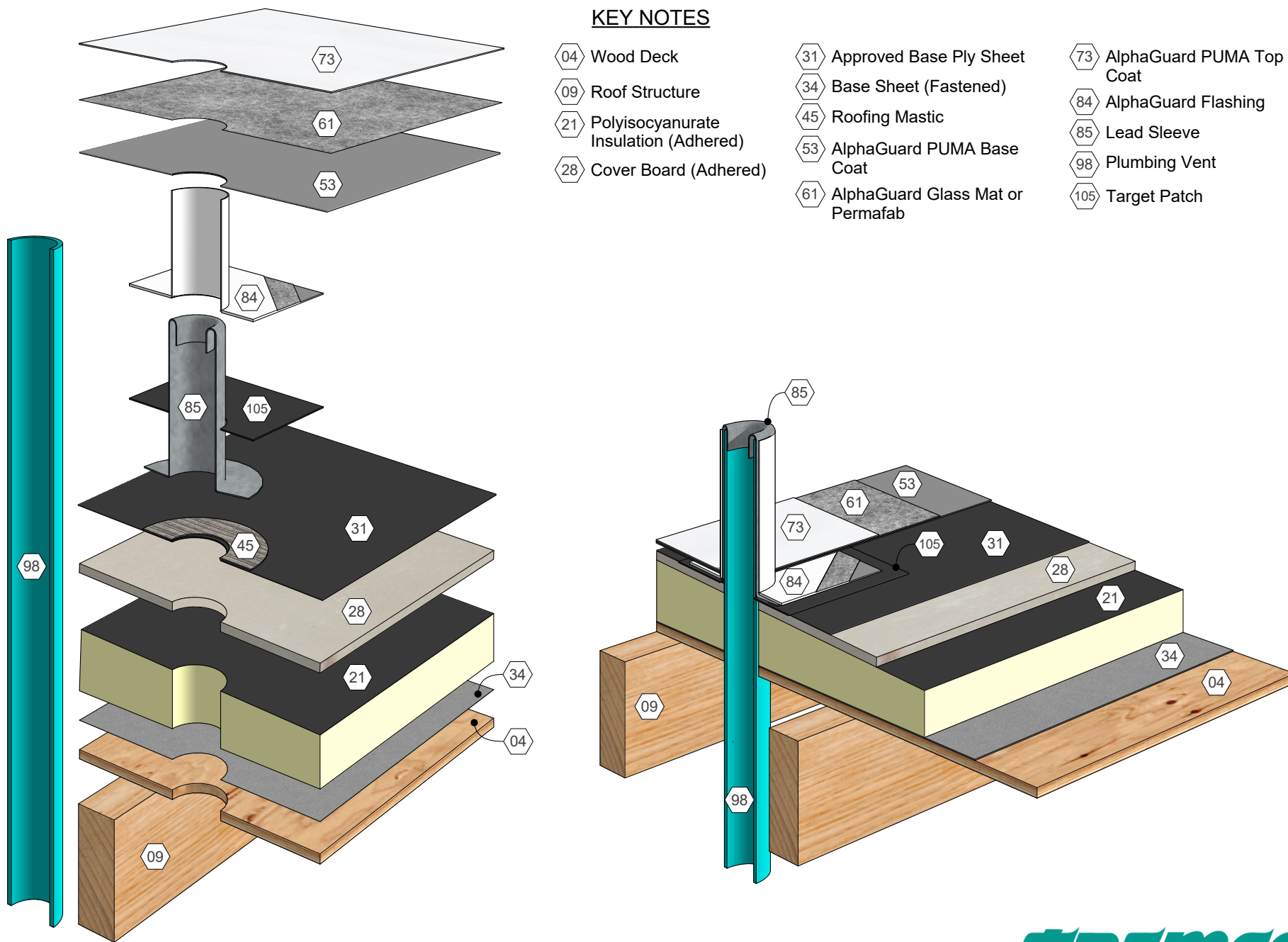
- | | | | | | |
|----|---------------------------------------|----|----------------------------------|-----|--------------------------|
| 03 | Precast Concrete Deck | 31 | Approved Base Ply Sheet | 73 | AlphaGuard PUMA Top Coat |
| 21 | Polyisocyanurate Insulation (Adhered) | 45 | Roofing Mastic | 84 | AlphaGuard Flashing |
| 28 | Cover Board (Adhered) | 53 | AlphaGuard PUMA Base Coat | 85 | Lead Sleeve |
| | | 61 | AlphaGuard Glass Mat or Permafab | 98 | Plumbing Vent |
| | | | | 105 | Target Patch |



AlphaGuard® PUMA Plus Plumbing Vent Detail, Precast Concrete Deck
Detail 24183

KEY NOTES

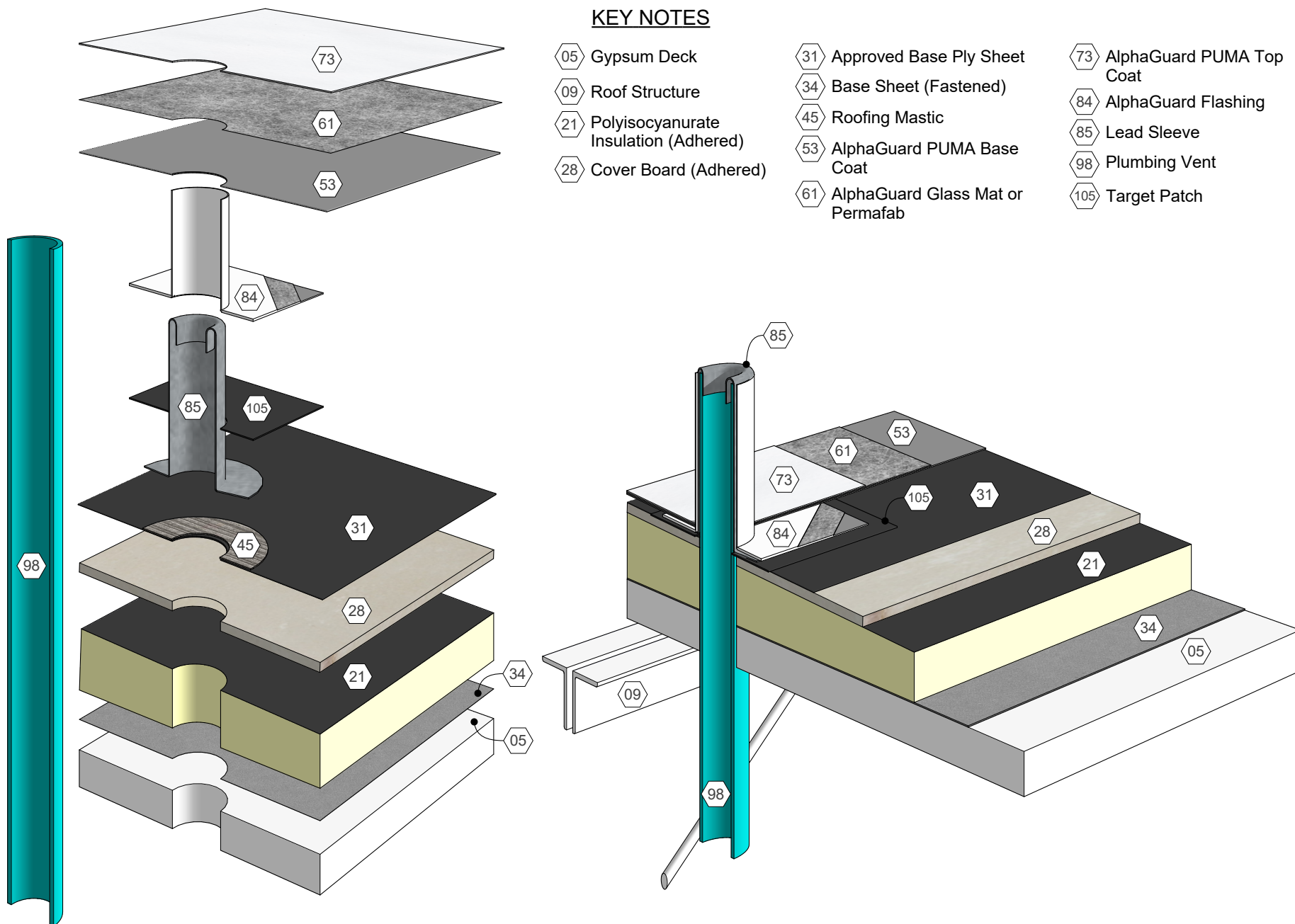
- | | | | | | |
|----|---------------------------------------|----|----------------------------------|-----|--------------------------|
| 04 | Wood Deck | 31 | Approved Base Ply Sheet | 73 | AlphaGuard PUMA Top Coat |
| 09 | Roof Structure | 34 | Base Sheet (Fastened) | 84 | AlphaGuard Flashing |
| 21 | Polyisocyanurate Insulation (Adhered) | 45 | Roofing Mastic | 85 | Lead Sleeve |
| 28 | Cover Board (Adhered) | 53 | AlphaGuard PUMA Base Coat | 98 | Plumbing Vent |
| | | 61 | AlphaGuard Glass Mat or Permafab | 105 | Target Patch |



AlphaGuard® PUMA Plus Plumbing Vent Detail, Wood Deck
Detail 24184

KEY NOTES

- | | | | | | |
|----|---------------------------------------|----|----------------------------------|-----|--------------------------|
| 05 | Gypsum Deck | 31 | Approved Base Ply Sheet | 73 | AlphaGuard PUMA Top Coat |
| 09 | Roof Structure | 34 | Base Sheet (Fastened) | 84 | AlphaGuard Flashing |
| 21 | Polyisocyanurate Insulation (Adhered) | 45 | Roofing Mastic | 85 | Lead Sleeve |
| 28 | Cover Board (Adhered) | 53 | AlphaGuard PUMA Base Coat | 98 | Plumbing Vent |
| | | 61 | AlphaGuard Glass Mat or Permafab | 105 | Target Patch |



AlphaGuard® PUMA Plus Plumbing Vent Detail, Gypsum Deck
Detail 24185